

# GN 113.11 | Quick release pins

Stainless steel



- 1
- 2
- 3
- 4
- 5
- 6
- 7
- 8
- 9
- 10
- 11
- 12
- 13
- 14
- 15
- 16
- 17
- 18

## SPECIFICATION

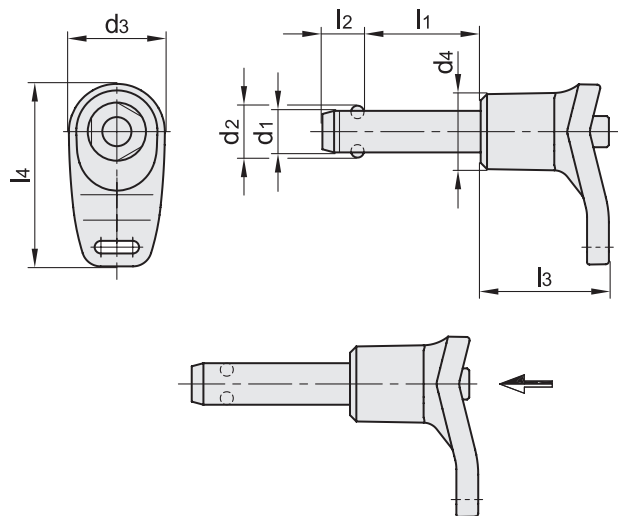
- Pin  
AISI 303 stainless steel
- L-Handle  
Polyamide based (PA) technopolymer, black  
temperature resistant up to 80 °C
- Balls  
Stainless Steel AISI 420C
- Spring  
Stainless steel

## FEATURES AND APPLICATIONS

GN 113.11 ball lock pins are generally used for quick mounting between components or parts to be machined, in particular for elements which need to be removed and reset continuously.  
By pressing the push button the two balls are freed, and locked again when it is released.

## ACCESSORIES

- Ball chain GN 111 (see page )
- Retaining cables GN 111.2 (see page )
- Spiral retaining cables GN 111.4 (see page )



Conversion Table	
1 mm = 0.039 inch	
d1	
mm	inch
5	0.20
6	0.24
8	0.31
10	0.39
12	0.47
16	0.62
20	0.78
25	0.98



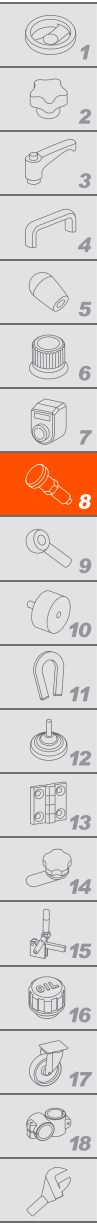
Code	Description	d1-0.04-0.08	d2	d3	d4	l1+0.6	l2±1	l3	l4	Mounting hole H11	Double sided shearing force [KN]	⚖
GN.77001	GN 113.11-5-10	5	5.5	17.5	13.5	10	6	26.5	33	5	14	14
GN.77002	GN 113.11-5-15	5	5.5	17.5	13.5	15	6	26.5	33	5	14	15
GN.77003	GN 113.11-5-20	5	5.5	17.5	13.5	20	6	26.5	33	5	14	17
GN.77004	GN 113.11-5-25	5	5.5	17.5	13.5	25	6	26.5	33	5	14	18
GN.77005	GN 113.11-5-30	5	5.5	17.5	13.5	30	6	26.5	33	5	14	20
GN.77006	GN 113.11-5-35	5	5.5	17.5	13.5	35	6	26.5	33	5	14	21
GN.77007	GN 113.11-5-40	5	5.5	17.5	13.5	40	6	26.5	33	5	14	23
GN.77008	GN 113.11-5-45	5	5.5	17.5	13.5	45	6	26.5	33	5	14	24
GN.77009	GN 113.11-5-50	5	5.5	17.5	13.5	50	6	26.5	33	5	14	25
GN.77010	GN 113.11-5-60	5	5.5	17.5	13.5	60	6	26.5	33	5	14	26
GN.77011	GN 113.11-5-70	5	5.5	17.5	13.5	70	6	26.5	33	5	14	27
GN.77012	GN 113.11-5-80	5	5.5	17.5	13.5	80	6	26.5	33	5	14	28

Indexing and positioning elements

INOX STAINLESS STEEL METRIC

Code	Description	d1 -0.04-0.08	d2	d3	d4	l1+0.6	l2±1	l3	l4	Mounting hole H11	Double sided shearing force [KN]	⚖
GN.77021	GN 113.11-6-10	6	7	17.5	13.5	10	7	26.5	33	6	21	17
GN.77022	GN 113.11-6-15	6	7	17.5	13.5	15	7	26.5	33	6	21	18
GN.77023	GN 113.11-6-20	6	7	17.5	13.5	20	7	26.5	33	6	21	19
GN.77024	GN 113.11-6-25	6	7	17.5	13.5	25	7	26.5	33	6	21	20
GN.77025	GN 113.11-6-30	6	7	17.5	13.5	30	7	26.5	33	6	21	21
GN.77026	GN 113.11-6-35	6	7	17.5	13.5	35	7	26.5	33	6	21	22
GN.77027	GN 113.11-6-40	6	7	17.5	13.5	40	7	26.5	33	6	21	23
GN.77028	GN 113.11-6-45	6	7	17.5	13.5	45	7	26.5	33	6	21	24
GN.77029	GN 113.11-6-50	6	7	17.5	13.5	50	7	26.5	33	6	21	25
GN.77030	GN 113.11-6-60	6	7	17.5	13.5	60	7	26.5	33	6	21	26
GN.77031	GN 113.11-6-70	6	7	17.5	13.5	70	7	26.5	33	6	21	29
GN.77032	GN 113.11-6-80	6	7	17.5	13.5	80	7	26.5	33	6	21	32
GN.77041	GN 113.11-8-10	8	9.5	23	18	10	8.2	34	43.5	8	38	38
GN.77042	GN 113.11-8-15	8	9.5	23	18	15	8.2	34	43.5	8	38	40
GN.77043	GN 113.11-8-20	8	9.5	23	18	20	8.2	34	43.5	8	38	41
GN.77044	GN 113.11-8-25	8	9.5	23	18	25	8.2	34	43.5	8	38	43
GN.77045	GN 113.11-8-30	8	9.5	23	18	30	8.2	34	43.5	8	38	45
GN.77046	GN 113.11-8-35	8	9.5	23	18	35	8.2	34	43.5	8	38	47
GN.77047	GN 113.11-8-40	8	9.5	23	18	40	8.2	34	43.5	8	38	49
GN.77048	GN 113.11-8-45	8	9.5	23	18	45	8.2	34	43.5	8	38	51
GN.77049	GN 113.11-8-50	8	9.5	23	18	50	8.2	34	43.5	8	38	53
GN.77050	GN 113.11-8-60	8	9.5	23	18	60	8.2	34	43.5	8	38	54
GN.77051	GN 113.11-8-70	8	9.5	23	18	70	8.2	34	43.5	8	38	61
GN.77052	GN 113.11-8-80	8	9.5	23	18	80	8.2	34	43.5	8	38	65
GN.77053	GN 113.11-8-90	8	9.5	23	18	90	8.2	34	43.5	8	38	67
GN.77054	GN 113.11-8-100	8	9.5	23	18	100	8.2	34	43.5	8	38	72
GN.77061	GN 113.11-10-15	10	12	23	18	15	9.6	34	43.5	10	60	40
GN.77062	GN 113.11-10-20	10	12	23	18	20	9.6	34	43.5	10	60	48
GN.77063	GN 113.11-10-25	10	12	23	18	25	9.6	34	43.5	10	60	51
GN.77064	GN 113.11-10-30	10	12	23	18	30	9.6	34	43.5	10	60	54
GN.77065	GN 113.11-10-35	10	12	23	18	35	9.6	34	43.5	10	60	57
GN.77066	GN 113.11-10-40	10	12	23	18	40	9.6	34	43.5	10	60	60
GN.77067	GN 113.11-10-45	10	12	23	18	45	9.6	34	43.5	10	60	63
GN.77068	GN 113.11-10-50	10	12	23	18	50	9.6	34	43.5	10	60	64
GN.77069	GN 113.11-10-60	10	12	23	18	60	9.6	34	43.5	10	60	72
GN.77070	GN 113.11-10-70	10	12	23	18	70	9.6	34	43.5	10	60	78
GN.77071	GN 113.11-10-80	10	12	23	18	80	9.6	34	43.5	10	60	81
GN.77072	GN 113.11-10-90	10	12	23	18	90	9.6	34	43.5	10	60	90
GN.77073	GN 113.11-10-100	10	12	23	18	100	9.6	34	43.5	10	60	93
GN.77074	GN 113.11-10-110	10	12	23	18	110	9.6	34	43.5	10	60	103
GN.77075	GN 113.11-10-120	10	12	23	18	120	9.6	34	43.5	10	60	105
GN.77081	GN 113.11-12-20	12	14.5	30.5	24	20	10.6	40.5	58	12	87	93
GN.77082	GN 113.11-12-25	12	14.5	30.5	24	25	10.6	40.5	58	12	87	98
GN.77083	GN 113.11-12-30	12	14.5	30.5	24	30	10.6	40.5	58	12	87	104
GN.77084	GN 113.11-12-35	12	14.5	30.5	24	35	10.6	40.5	58	12	87	107
GN.77085	GN 113.11-12-40	12	14.5	30.5	24	40	10.6	40.5	58	12	87	111
GN.77086	GN 113.11-12-45	12	14.5	30.5	24	45	10.6	40.5	58	12	87	115
GN.77087	GN 113.11-12-50	12	14.5	30.5	24	50	10.6	40.5	58	12	87	119
GN.77088	GN 113.11-12-60	12	14.5	30.5	24	60	10.6	40.5	58	12	87	128
GN.77089	GN 113.11-12-70	12	14.5	30.5	24	70	10.6	40.5	58	12	87	136
GN.77090	GN 113.11-12-80	12	14.5	30.5	24	80	10.6	40.5	58	12	87	145
GN.77091	GN 113.11-12-90	12	14.5	30.5	24	90	10.6	40.5	58	12	87	153
GN.77092	GN 113.11-12-100	12	14.5	30.5	24	100	10.6	40.5	58	12	87	161
GN.77093	GN 113.11-12-110	12	14.5	30.5	24	110	10.6	40.5	58	12	87	170
GN.77094	GN 113.11-12-120	12	14.5	30.5	24	120	10.6	40.5	58	12	87	179





Indexing and positioning elements

4

**INOX** STAINLESS STEEL **METRIC**

Code	Description	d1-0.04-0.08	d2	d3	d4	l1+0.6	l2±1	l3	l4	Mounting hole H11	Double sided shearing force [KN]	⚖️
GN.77101	GN 113.11-16-30	16	19	30.5	24	30	14	40.5	58	16	155	134
GN.77102	GN 113.11-16-35	16	19	30.5	24	35	14	40.5	58	16	155	142
GN.77103	GN 113.11-16-40	16	19	30.5	24	40	14	40.5	58	16	155	150
GN.77104	GN 113.11-16-45	16	19	30.5	24	45	14	40.5	58	16	155	157
GN.77105	GN 113.11-16-50	16	19	30.5	24	50	14	40.5	58	16	155	170
GN.77106	GN 113.11-16-60	16	19	30.5	24	60	14	40.5	58	16	155	180
GN.77107	GN 113.11-16-70	16	19	30.5	24	70	14	40.5	58	16	155	196
GN.77108	GN 113.11-16-80	16	19	30.5	24	80	14	40.5	58	16	155	210
GN.77109	GN 113.11-16-90	16	19	30.5	24	90	14	40.5	58	16	155	230
GN.77110	GN 113.11-16-100	16	19	30.5	24	100	14	40.5	58	16	155	246
GN.77111	GN 113.11-16-110	16	19	30.5	24	110	14	40.5	58	16	155	262
GN.77112	GN 113.11-16-120	16	19	30.5	24	120	14	40.5	58	16	155	277
GN.77113	GN 113.11-16-130	16	19	30.5	24	130	14	40.5	58	16	155	293
GN.77114	GN 113.11-16-140	16	19	30.5	24	140	14	40.5	58	16	155	309
GN.77115	GN 113.11-16-150	16	19	30.5	24	150	14	40.5	58	16	155	324
GN.77121	GN 113.11-20-50	20	25	40.5	33	50	20.5	51.5	72.5	20	244	330
GN.77122	GN 113.11-20-60	20	25	40.5	33	60	20.5	51.5	72.5	20	244	351
GN.77123	GN 113.11-20-70	20	25	40.5	33	70	20.5	51.5	72.5	20	244	378
GN.77124	GN 113.11-20-80	20	25	40.5	33	80	20.5	51.5	72.5	20	244	395
GN.77125	GN 113.11-20-90	20	25	40.5	33	90	20.5	51.5	72.5	20	244	427
GN.77126	GN 113.11-20-100	20	25	40.5	33	100	20.5	51.5	72.5	20	244	445
GN.77127	GN 113.11-20-110	20	25	40.5	33	110	20.5	51.5	72.5	20	244	475
GN.77128	GN 113.11-20-120	20	25	40.5	33	120	20.5	51.5	72.5	20	244	494
GN.77129	GN 113.11-20-130	20	25	40.5	33	130	20.5	51.5	72.5	20	244	520
GN.77130	GN 113.11-20-140	20	25	40.5	33	140	20.5	51.5	72.5	20	244	547
GN.77131	GN 113.11-20-150	20	25	40.5	33	150	20.5	51.5	72.5	20	244	572
GN.77141	GN 113.11-25-50	25	30.8	40.5	33	50	22	51.5	72.5	25	386	428
GN.77142	GN 113.11-25-60	25	30.8	40.5	33	60	22	51.5	72.5	25	386	466
GN.77143	GN 113.11-25-70	25	30.8	40.5	33	70	22	51.5	72.5	25	386	504
GN.77144	GN 113.11-25-80	25	30.8	40.5	33	80	22	51.5	72.5	25	386	540
GN.77145	GN 113.11-25-90	25	30.8	40.5	33	90	22	51.5	72.5	25	386	581
GN.77146	GN 113.11-25-100	25	30.8	40.5	33	100	22	51.5	72.5	25	386	618
GN.77147	GN 113.11-25-110	25	30.8	40.5	33	110	22	51.5	72.5	25	386	657
GN.77148	GN 113.11-25-120	25	30.8	40.5	33	120	22	51.5	72.5	25	386	695
GN.77149	GN 113.11-25-130	25	30.8	40.5	33	130	22	51.5	72.5	25	386	733
GN.77150	GN 113.11-25-140	25	30.8	40.5	33	140	22	51.5	72.5	25	386	770
GN.77151	GN 113.11-25-150	25	30.8	40.5	33	150	22	51.5	72.5	25	386	810